

# Q12 series

Ø12 mm panel mount LED indicators



## DISTINCTIVE FEATURES

8 mm colored diffused epoxy lens or 8 mm water clear super bright LEDs

2VDC - 220VAC

(2.8 x 0.8) solder lug/faston terminals, pins or (200 mm long) wire terminations



## ENVIRONMENTAL SPECIFICATIONS

- IP67 sealing option (EN60529)
- Operating & Storage Temperature Range:  
Rear plastic body: -30 °C to +65° C (-22 °F to +149 °F)  
Rear epoxy body: -40 °C to +85° C (-40 °F to +185 °F)



## GENERAL SPECIFICATIONS

- Max Reverse Voltage: 5 V
- Viewing Angle: 30–100° (dependant on model)
- Life Expectancy: 100,000 hours
- Torque: 75 cNm
- Maximum panel thickness 7 mm
- Insulation resistance : 4,000 MΩ at 500 VDC

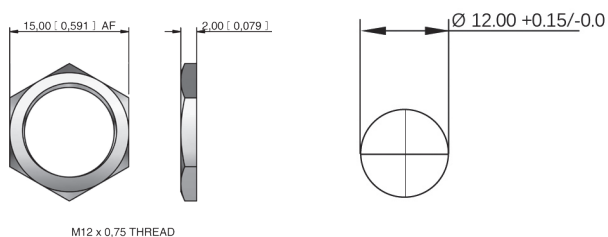


## MATERIALS

- Plated brass bezel finished in bright chrome, black or satin grey and moulded polycarbonate rear body

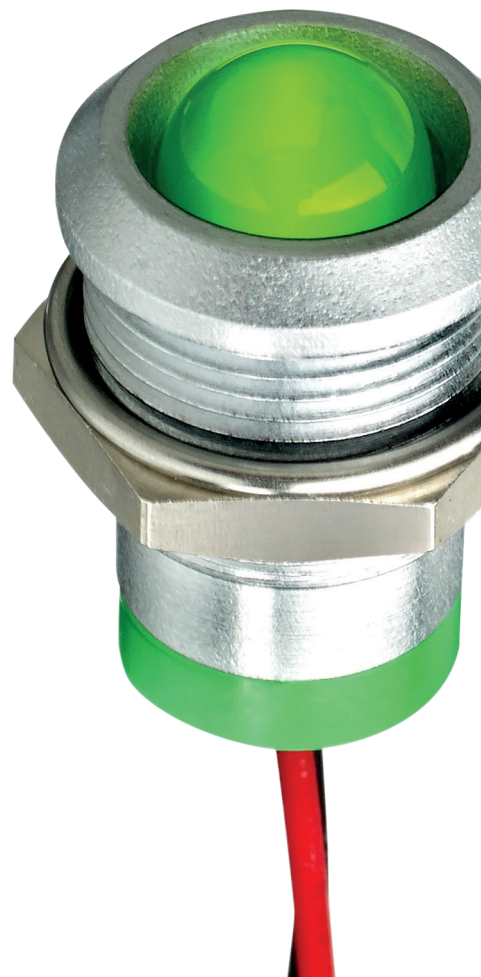


## MOUNTING



The company reserves the right to change specifications without notice.

All LED characteristics are dependent upon environmental conditions. Therefore published data should be considered nominal and subject to variations.



# Q12 series

Ø12 mm panel mount LED indicators



## ELECTRICAL SPECIFICATIONS

### STANDARD LED INTENSITY

LED COMPONENT SPECIFICATIONS			
	Prominent and Recessed	Flush	Forward Voltage
HE Red	350 mcd	N/A	2.0 V
Green	60 mcd	N/A	2.2 V
Yellow	50 mcd	N/A	2.1 V
Blue	800 mcd	330 mcd	3.3 V (Flush : 3.1 V)
White	1,200 mcd	1.560 mcd	3.3 V (Flush : 3.1 V)
Orange	100 mcd	N/A	2.2 V
Bi-color (Typical) (Red/Green)	20/10 mcd	N/A	2.0 V/2.2 V
Tri-color (Typical) (Red/Green/Yellow)	80/50 mcd	N/A	2.5 V/2.5 V

Bi-color - The color is changed by reversing the polarity of the supply voltage.  
Tri-color - The indicator has red and green LEDs, when both connected yellow is produced.

### SUPER BRIGHT LED INTENSITY

LED COMPONENT SPECIFICATIONS			
	Prominent and Recessed	Flush	Forward Voltage
HE Red	3,000 mcd	N/A	2.2 V
Green	8,000 mcd	N/A	3.3 V
Yellow	1,100 mcd	N/A	2.0 V
Blue	1,500 mcd	N/A	3.3 V
White	1,200 mcd	N/A	3.3 V
Orange	2,000 mcd	N/A	2.2 V

### HYPER BRIGHT LED INTENSITY

LED COMPONENT SPECIFICATIONS			
	Prominent and Recessed	Flush	Forward Voltage
HE Red	1,900 mcd	1,120 mcd	2.2 V
Green	3,500 mcd	1,560 mcd	3.3 V
Yellow	1,600 mcd	1,120 mcd	2.0 V
Orange	4,300 mcd	1,120 mcd	2.2 V

- The operating voltage must not be exceeded by more than 10% as this will result in reduced life expectancy
- Luminous intensity is measured at 20 mA on a discrete led unless otherwise stated.
- Luminous intensities and color shades of white LEDs may vary within a batch.
- Luminous intensity will be reduced with lower operating current.

Voltage	Operating Voltage	Operating Current
	(Min to Max)	(Typical All Types)
02 (No Resistor)	1.8 to 3.3 VDC	20 mA max
6 VDC	5.4 to 6.6 VDC	20 mA
12 VDC	10.8 to 13.2 VDC	20 mA
24 VDC	21.6 to 26.4 VDC	20 mA
28 VDC	25.2 to 30.8 VDC	20 mA
110 VAC	99 to 121 VAC	6 mA
220 VAC	207 to 235 VAC	3 mA

\* Customer to supply resistor for desired operating current.

### ADDITIONAL INFORMATION ON LED COMPONENTS

- Recommended usage:
  - Standard: Homogenous light output that is good for indoor applications.
  - Hyper Bright: Homogenous light output that is good for outside viewing and is daylight visible.
  - Super Bright: A water clear LED that is good for long distance viewing and is daylight visible.

### Our regulatory declarations & certifications

In accordance with its QHSE policy and its values, the APEM group applies the most demanding environmental regulations.

- UL Recognition

- REACH & ROHS

- Parc tested

- IP67

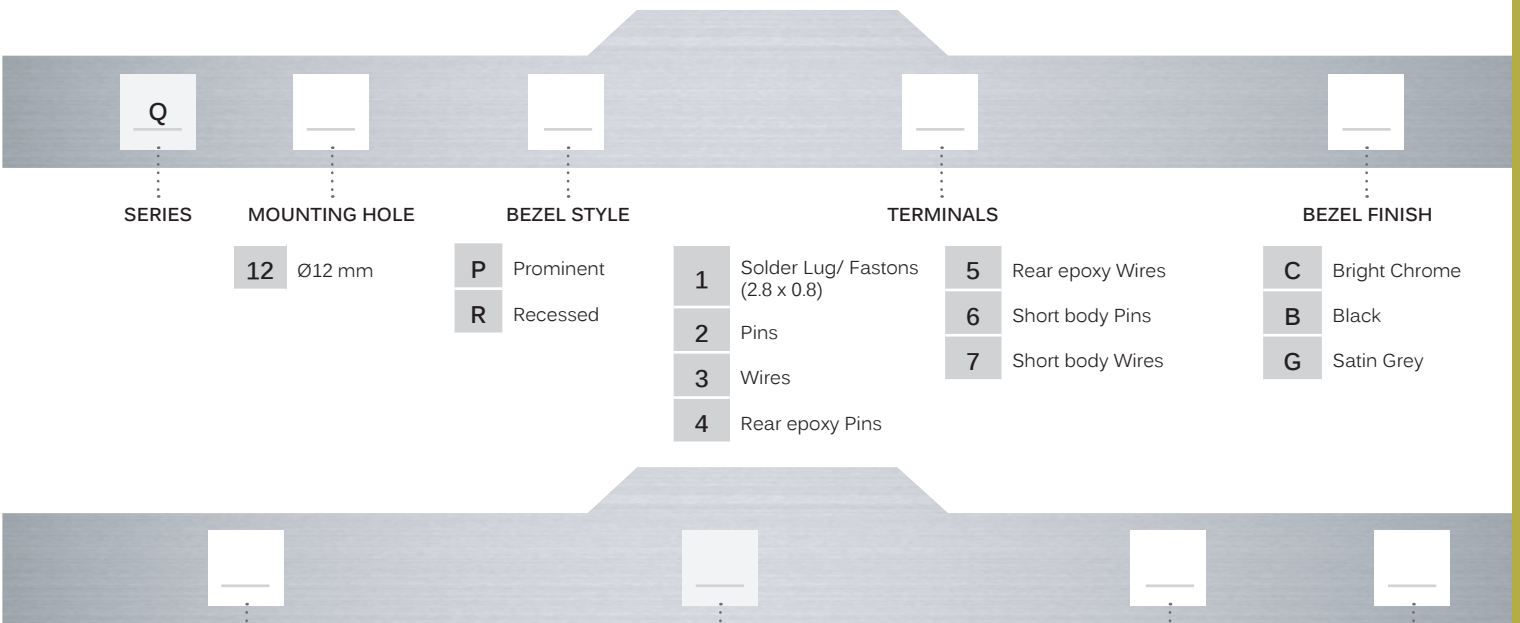
- LVD (BS EN 60838 :2017+A11 :2021)\*

\*Awareness to possible high level of moisture conditions



### BUILD YOUR PART NUMBER

#### PROMINENT AND RECESSED BEZEL



**SERIES**

**12** Ø12 mm

**BEZEL STYLE**

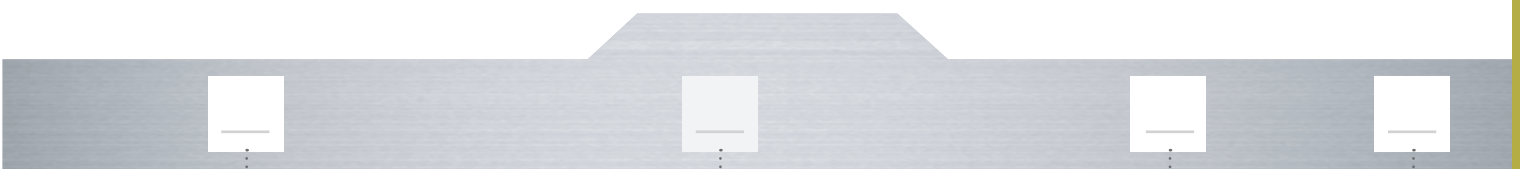
**P** Prominent  
**R** Recessed

**TERMINALS**

**1** Solder Lug/ Fastons (2.8 x 0.8)  
**2** Pins  
**3** Wires  
**4** Rear epoxy Pins  
**5** Rear epoxy Wires  
**6** Short body Pins  
**7** Short body Wires

**BEZEL FINISH**

**C** Bright Chrome  
**B** Black  
**G** Satin Grey



**TYPE OF ILLUMINATION**

**XX** Fixed Light  
**KK** Flashing Light (12 V – 28 VDC)  
**YY** Bi-color  
**ZZ** Tri-color

**R** Red  
**G** Green  
**Y** Yellow  
**B** Blue  
**W** White  
**O** Orange  
**HR** Hyper Bright Red

**LED COLOR**

**HG** Hyper Bright Green  
**HY** Hyper Bright Yellow  
**HO** Hyper Bright Orange  
**SR** Super Bright Red  
**SG** Super Bright Green  
**SY** Super Bright Yellow  
**SB** Super Bright Blue  
**SW** Super Bright White  
**SO** Super Bright Orange  
**RG** Red/Green  
**RY** Red/Yellow  
**GY** Green/Yellow  
**RYG** Red/Yellow/Green

**VOLTAGE**

**02** no resistor\*  
**06** 6 VDC  
**12** 12 VDC  
**12A** 12 VAC/DC  
**24** 24 VDC  
**24A** 24 VAC/DC  
**28** 28 VDC  
**28A** 28 VAC/DC  
**110** 110 VAC  
**220** 220 VAC

**SEALING**

**(Blank)** Unsealed  
**E** IP67

\* please refer to the forward voltage in electrical specifications



### ABOUT THIS SERIES

**Notice:** please note that not all combinations of above numbers are available.

- Gold faston terminal denotes anode (+), silver terminal denotes cathode (-)
- Standard and Bi-Colour are provided in Standard wire length is 200mm, 24AWG UL1061, Red wire denotes anode (+), Black wire denotes cathode (-) for other lengths consult APEM.
- Bi-color leds, by connecting the gold faston (+) one color is produced, by reversing the supply voltage another color is produced – bi-colors are available up to 28 VDC
- Take care when soldering to the faston terminals (recommended solder temperature 300 °C - 3 sec)
- Max voltage for pins is 28 V
- Tri-color are not available with terminal option 1 and behind panel epoxy sealed with pins to option 4 and wires to option 5.
- 110 VAC and 220 VAC, only available with terminal options 1, 3 and 5
- We recommend using Hyperbright or Superbright LEDs for use at 110 VAC and 220 VAC
- The Tri-color LED has red and green LEDs when both are connected yellow is produced
- Standard tri-color faston terminals are two anodes (+) and one cathode (-)
- Tri-color wires are one red (+) and one green (+) anode and one black (-) cathode
- Tri-color pins are center (-) cathode, shortest (+) anode pin green, longest (+) anode pin red

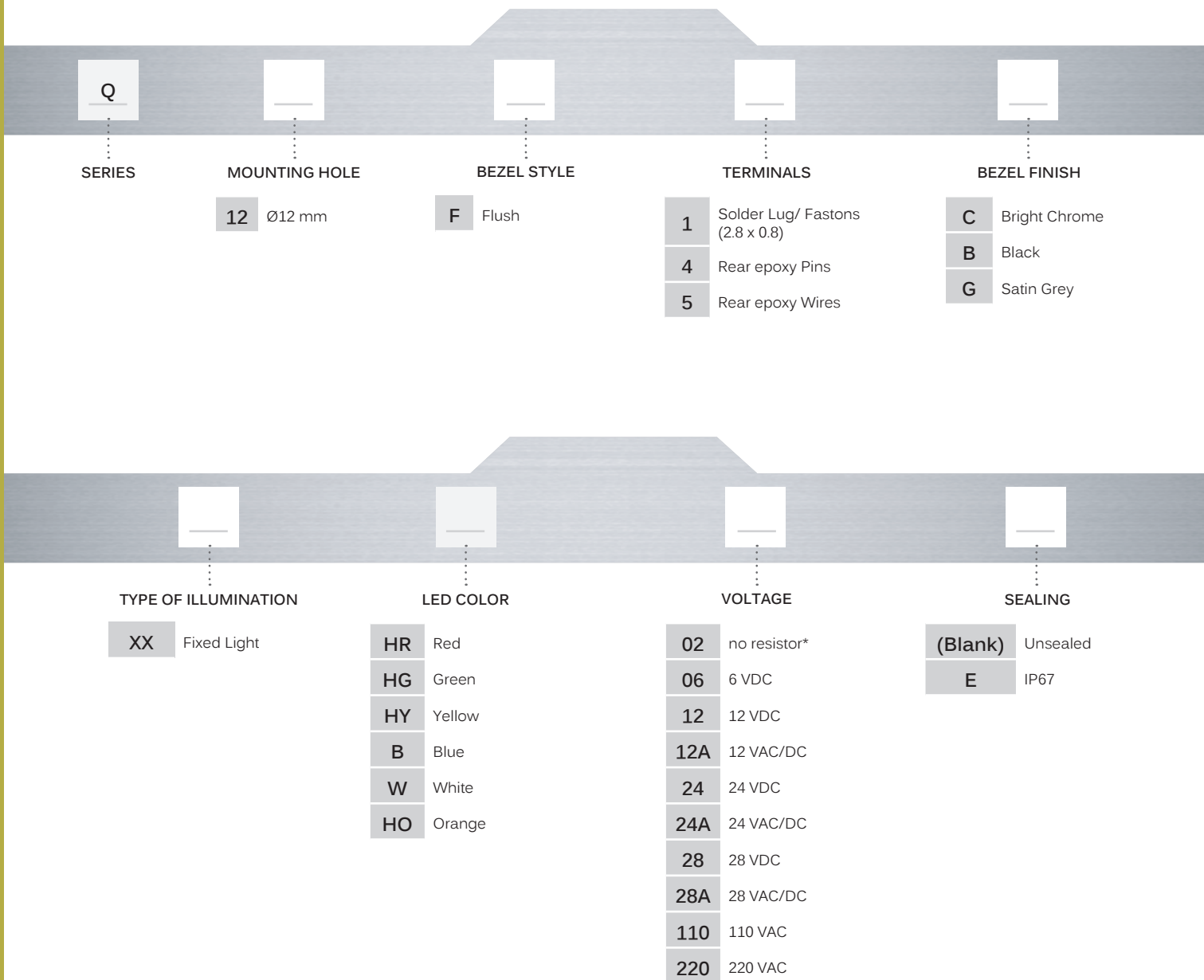
# Q12 series

Ø12 mm panel mount LED indicators



## BUILD YOUR PART NUMBER

FLUSH BEZEL



## ABOUT THIS SERIES



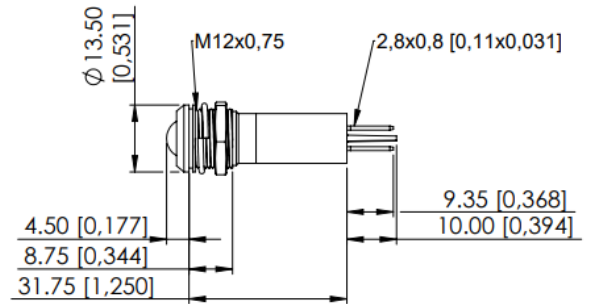
**Notice:** please note that not all combinations of above numbers are available.

- Gold faston terminal denotes anode (+), silver terminal denotes cathode (-)
- Standard wire length is 200 mm, 24 AWG UL1061, red wire denotes anode (+), black wire denotes cathode (-) for other wire lengths consult APEM
- For leds with alternative voltages please consult Apem
- Take care when soldering to the faston terminals (recommended solder temperature 300 °C - 3 sec)
- Body options 2 and 6 are only available without integral resistor (02).
- 110VAC and 220VAC only available with solder lug/Faston terminals

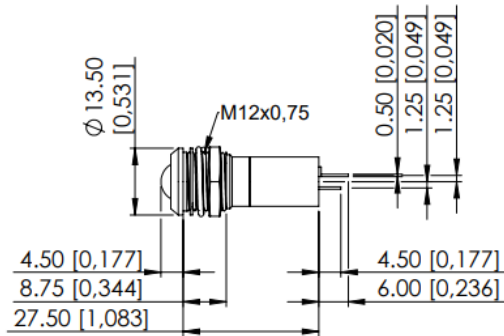
### PROMINENT BEZEL



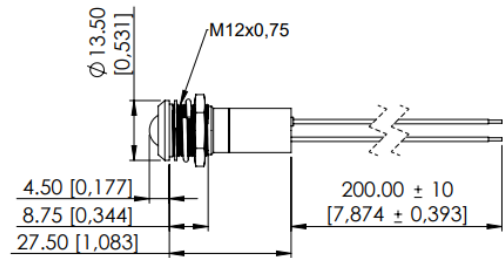
### SOLDER LUG/FASTON



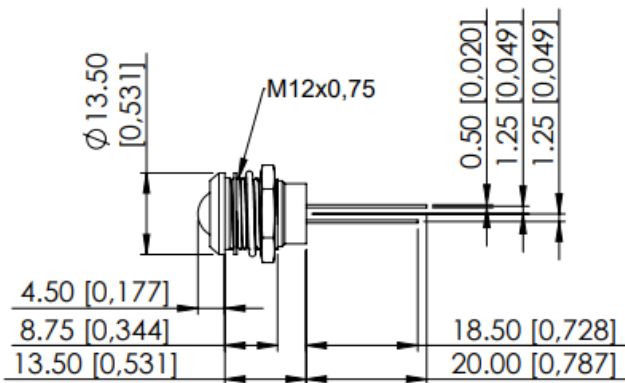
### WIRES



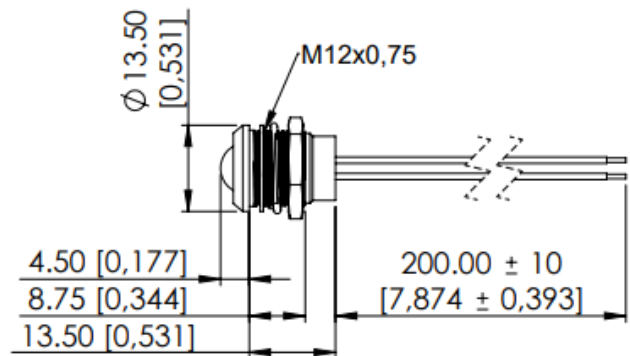
### PINS



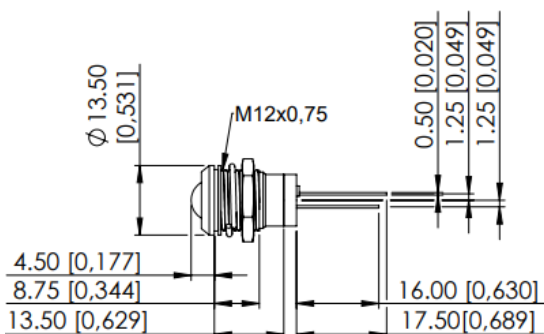
### REAR EPOXY WIRES



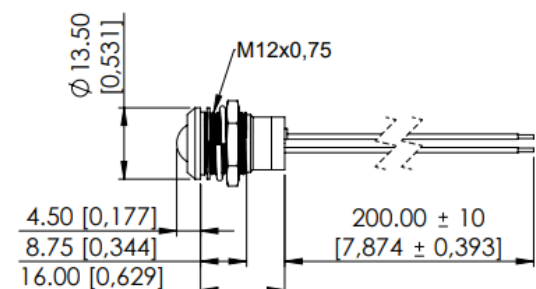
### REAR EPOXY PINS



### SHORT BODY WIRES



### SHORT BODY PINS



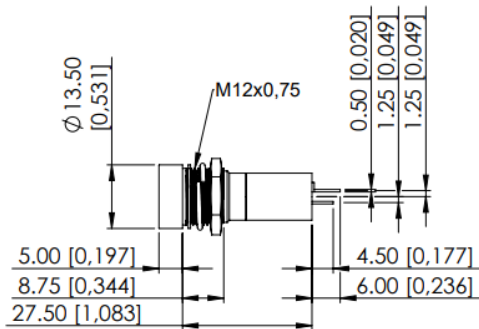
# Q12 series

Ø12 mm panel mount LED indicators

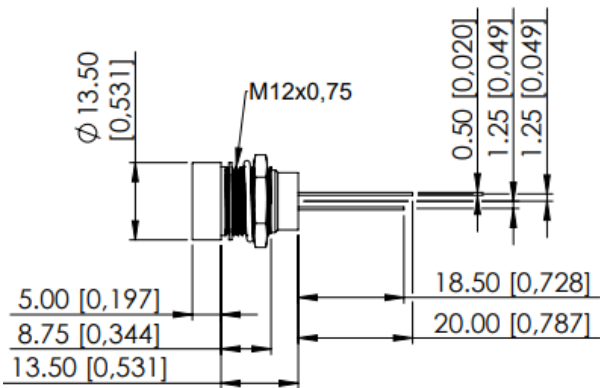
## RECESSED BEZEL



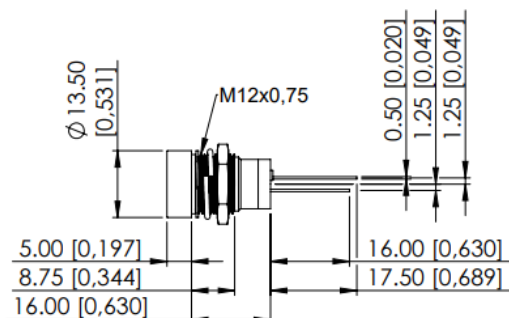
## WIRES



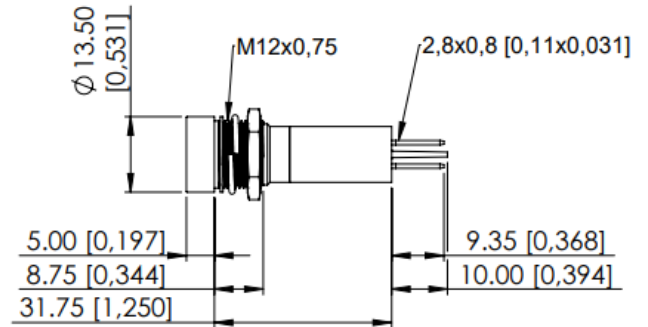
## REAR EPOXY WIRES



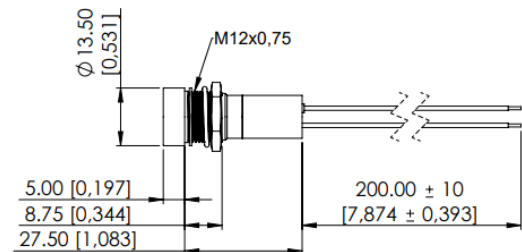
## SHORT BODY WIRES



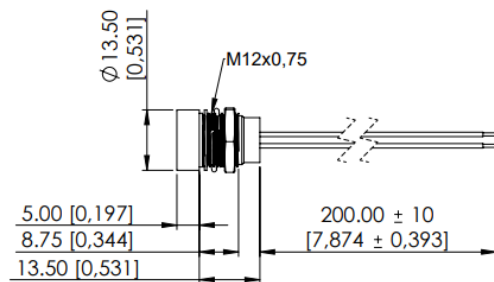
## SOLDER LUG/FASTON



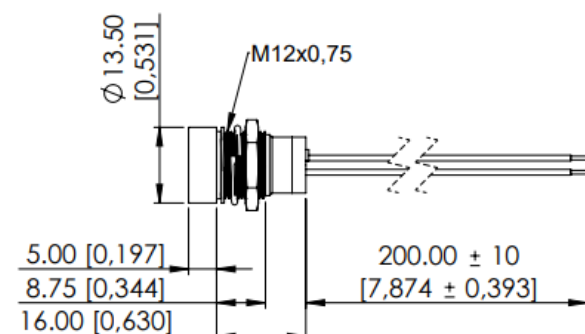
## PINS



## REAR EPOXY PINS



## SHORT BODY PINS



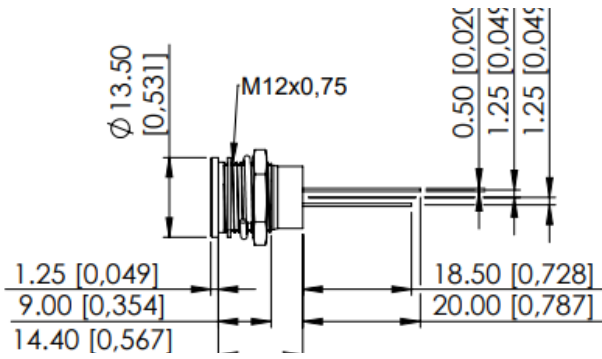
# Q12 series

Ø12 mm panel mount LED indicators

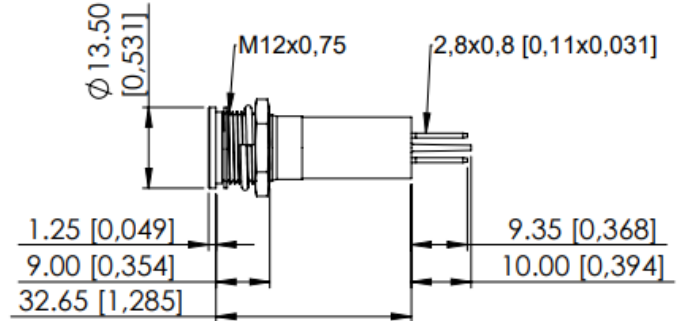
## FLUSH BEZEL



## REAR EPOXY WIRES



## SOLDER LUG/FASTON



## REAR EPOXY PINS

