

A01 series

Mushroom head pushbutton switches
panel cut-out Ø 16 mm



DISTINCTIVE FEATURES

- Panel sealed to IP65
- Single pole to four pole changeover
- Custom engraving
- Push on tab terminals
- 6A 250AV



MECHANICAL SPECIFICATIONS

- **Mechanical life (operator)** : Momentary, 1 million cycles, maintained 100 000 cycles
- **Terminals** : Solder/quick connect 2.8mm (0.110)



ELECTRICAL SPECIFICATIONS

- **Current/voltage rating** : 10 mA 5 VAC min; 6 A 250 VAC; 6 A 12 VDC
- **Initial contact resistance** : 10 MΩ max at 1A 4VDC
- **Electrical life** : 50,000 cycles min
- **Contact gap** : > 1mm (0.039)
- **Insulation resistance** : 50 MΩ min
- **Dielectric strength** : 750V between open contacts, 5KV live to accessible
- **Insulation** : Class 2



GENERAL SPECIFICATIONS

- **Operating temperature** : -20°C to +55°C
- **Soldering** : 350 °C for 5 seconds
- **Sealing** : Panel sealed to IP65, rear of panel IP40

The company reserves the right to change specifications without notice.



A01 series

Mushroom head pushbutton switches
panel cut-out Ø 16 mm

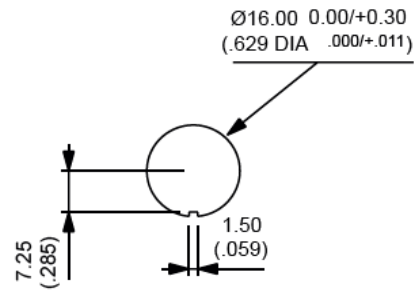


MATERIALS

- Screens : PC
- Reflector assembly : PC
- Operator : PBT
- Nut : ABS
- Camtrack momentary : PPE
- Camtrack maintained : PPSU
- Switch block 1&2 pole : PBT
- Switch block 3&4 pole : PEI
- Contacts : Gold plated silver



PANEL CUT-OUT



AGENCY APPROVAL

Switch block approved to
UL 1054



ABOUT THIS SERIES



Mounting accessories : standard hardware supplied : 1 nut and 1 sealing washer



Dimensions : first dimensions are in mm while inches are shown in brackets. Refer to the following pages for further informations

A01 series

Mushroom head pushbutton switches
panel cut-out Ø 16 mm

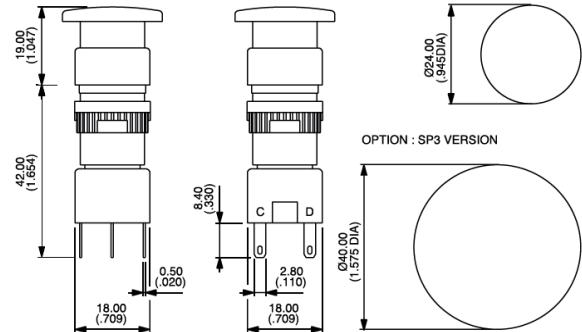
PUSHBUTTON



Default marking: for momentary operator (A01MM...), none; for maintained operator (A01MX...): 2 arrows; for maintained operator with the references starting by A01D...: 3 arrows.

OVERVIEW

Operator			Switch block	
Ø Actuator	Description	Part No	No of poles	Part No
24mm	Black Momentary	A01MMA	Single pole	A0151B
24mm	Red Momentary	A01MMB	Double pole	AO152B
24mm	Yellow Momentary	A01MMD		
24mm	Green Momentary	A01MME		
24mm	Blue Momentary	A01MMF		
24mm	Black Maintained	A01MXA		
24mm	Red Maintained	A01 MXB		
24mm	Red Maintained 3 arrows	A01DMXB		
24mm	Red Maintained knurled	A01DXB		
24mm	Red Maintained finger grip	A01DXB F1		
28mm	Red Maintained smooth	A01DXB F2		
24mm	Yellow Maintained	A01MXD		
24mm	Green Maintained	A01MXE		
24mm	Blue Maintained	A01MXF		
40mm	Black Momentary	A01MMA SP3		
40mm	Red Momentary	A01MMB SP3		
40mm	Yellow Momentary	A01MMD SP3		
40mm	Green Momentary	A01MME SP3		
40mm	Blue Momentary	A01MMF SP3		
40mm	Black Maintained	A01MXA SP3		
40mm	Red Maintained	A01MXB SP3		
40mm	Yellow Maintained	A01MXD SP3		
40mm	Green Maintained	A01MXE SP3		
40mm	Blue Maintained	A01MXF SP3		
40mm	Red Maintained, 3 arrows	A01DXB SP3		



A01 series

Mushroom head pushbutton switches
panel cut-out Ø 16 mm



A01MX..

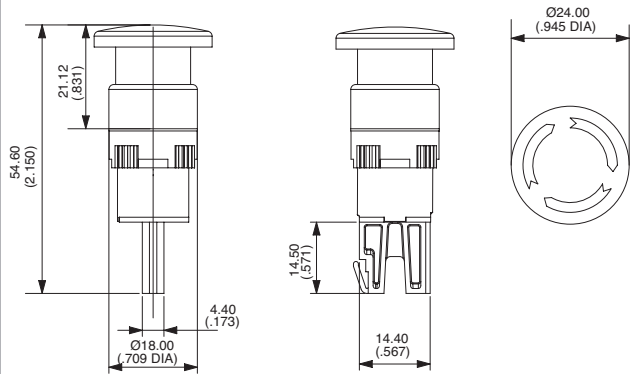


A01MM..

MUSHROOM HEAD ACTUATOR - STANDARD



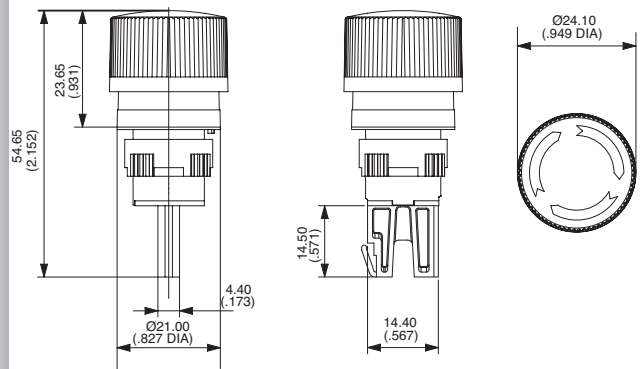
A01DMXB



KNURLED HEAD ACTUATOR



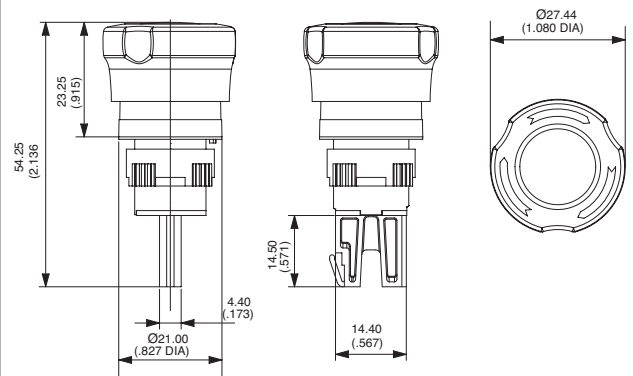
A01DXB



FINGER GRIP ACTUATOR



A01DX F1



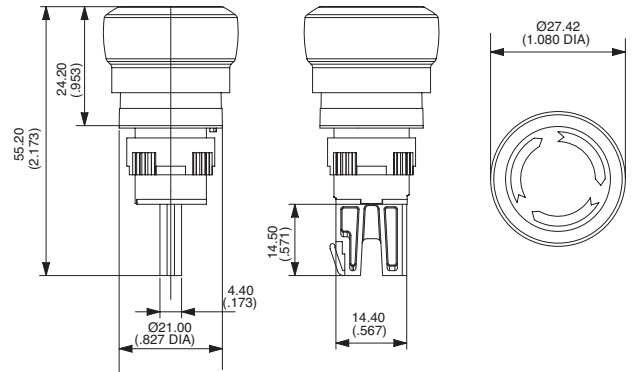
A01 series

Mushroom head pushbutton switches
panel cut-out Ø 16 mm

SMOOTH ACTUATOR



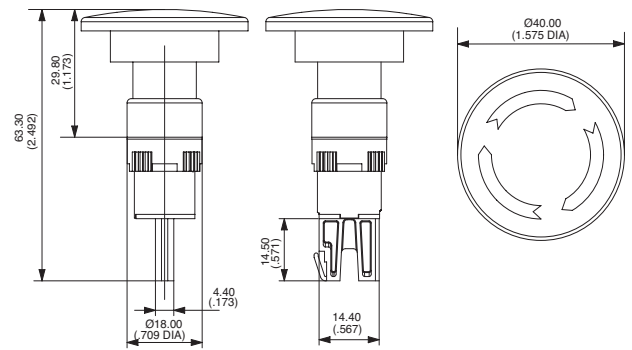
A01DX F2



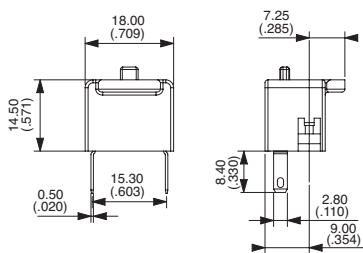
Ø 40 MM HEAD ACTUATOR



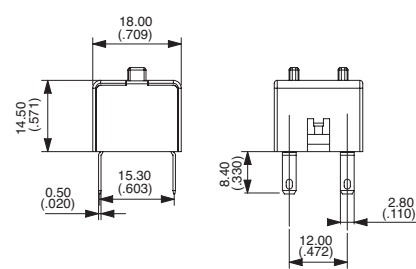
A01DX SP3



SINGLE POLE SWITCH BLOCK: A0150B-D



DOUBLE POLE SWITCH BLOCK: A0154B-D



A01 series

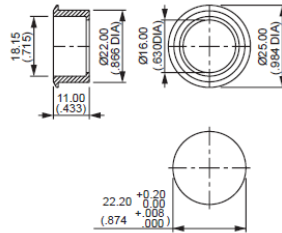
Mushroom head pushbutton switches
panel cut-out Ø 16 mm

ACCESSORIES

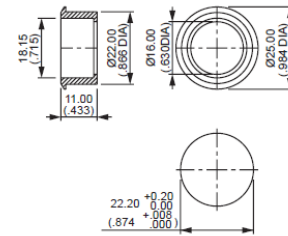
To order separately

FLUSH MOUNT BEZELS

Anodised aluminium/matt black



Round natural anodised : A01FMM



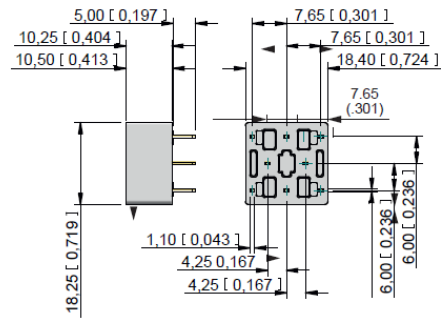
Round matt black : A01FMMG

PCB SOCKETS

Number of Poles

Part No.

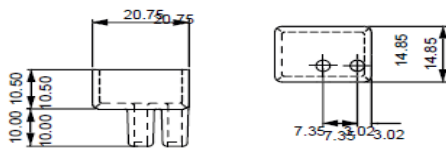
- Single pole, non illuminated : A01PC1
- Double pole, non illuminated : A01PC2
- Single pole, illuminated : A01PC3
- Double pole, illuminated : A01PC4
- Indicator : A01PC5



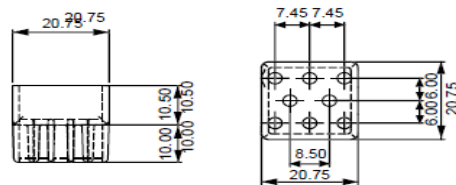
TERMINAL GUARDS

Two way

Eight way



Part number A01RTC2

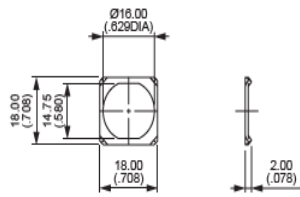


Part number A01RTC8

A01 series

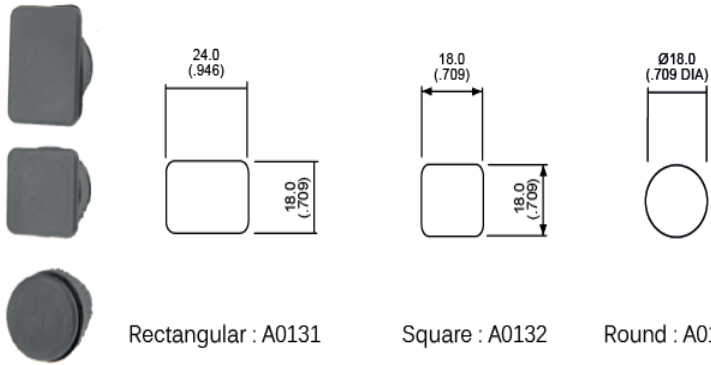
Mushroom head pushbutton switches
panel cut-out \varnothing 16 mm

ANTI ROTATION RING



A01LW

BLANKING PLUGS



Rectangular : A0131

Square : A0132

Round : A0133

ANTI ROTATION RING



30-0001