

# 1200 series

Momentary pushbutton switches •  
round plunger



## DISTINCTIVE FEATURES

Butt action contacts

Double break

NF (EN 61058-1), UL WOYR2 and WOYR8 (UL61058-1 and CAN/  
CSA-C22.2 N°61058-1)



## ELECTRICAL SPECIFICATIONS

- Max. current/voltage rating with resistive load :
  - silver contacts (A) : 4 A 250 VAC - 4 A 24 VDC - 8 A 12 VDC
  - silver plated copper contacts (C) :  
2 A 250 VAC - 2 A 24 VDC - 3 A 12 VDC
- Initial contact resistance : 10 mΩ
- Insulation resistance : 1,000 MΩ min. at 500 VDC
- Dielectric strength :
  - 2,000 Vrms 50 Hz min. between terminals
  - 3,000 Vrms 50 Hz min. between terminals and frame
- Electrical life : 10,000 cycles at full load



## GENERAL SPECIFICATIONS

- Torque : 1.50 Nm (1.10 Ft.lb) max. applied to nut
- Panel thickness : 5 mm (.196) max.
- Total travel :
  - NO : 4.5 (.177) ± 0.3 (.011)
  - NC : 3.5 (.137) ± 0.3 (.011)
- Operating temperature : -20 °C to +55 °C (-4 °F to +131 °F)



## MATERIALS

- Case : polyamide
- Plunger : polyamide
- Bushing : brass, nickel plated
- Contacts :
  - A : silver
  - C : copper, silver plated

APEM products may be recycled at end-of-life for the re-claiming of valuable metal components.  
The company reserves the right to change specifications without notice.



# 1200 series

Momentary pushbutton switches • round plunger



## MOUNTING

- Panel cut-out : Ø 12.2 (.480)

## AGENCY APPROVALS



EN 61058-1 2 A 250 VAC or 4 A 250 VAC, T55/125 °C  
All models

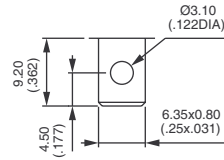


2A 250VAC or 4A 250VAC, T55  
UL61058-1  
CAN/CSA-C22.2 N°61058-1

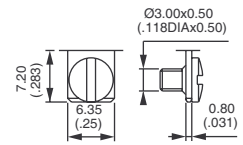
Models 1233X209 and 1233X209L are standard marked NF. To order switches marked NF, UL, complete appropriate box of ordering format.



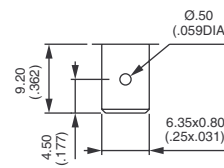
## TERMINALS



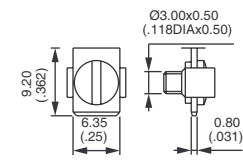
Solderlug / quick-connect



Screw



Normalized quick-connect

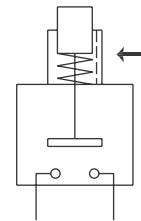


screw + clamp

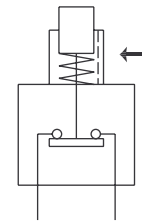


## ELECTRICAL FUNCTIONS

→ KEYWAY



NO (function 3)



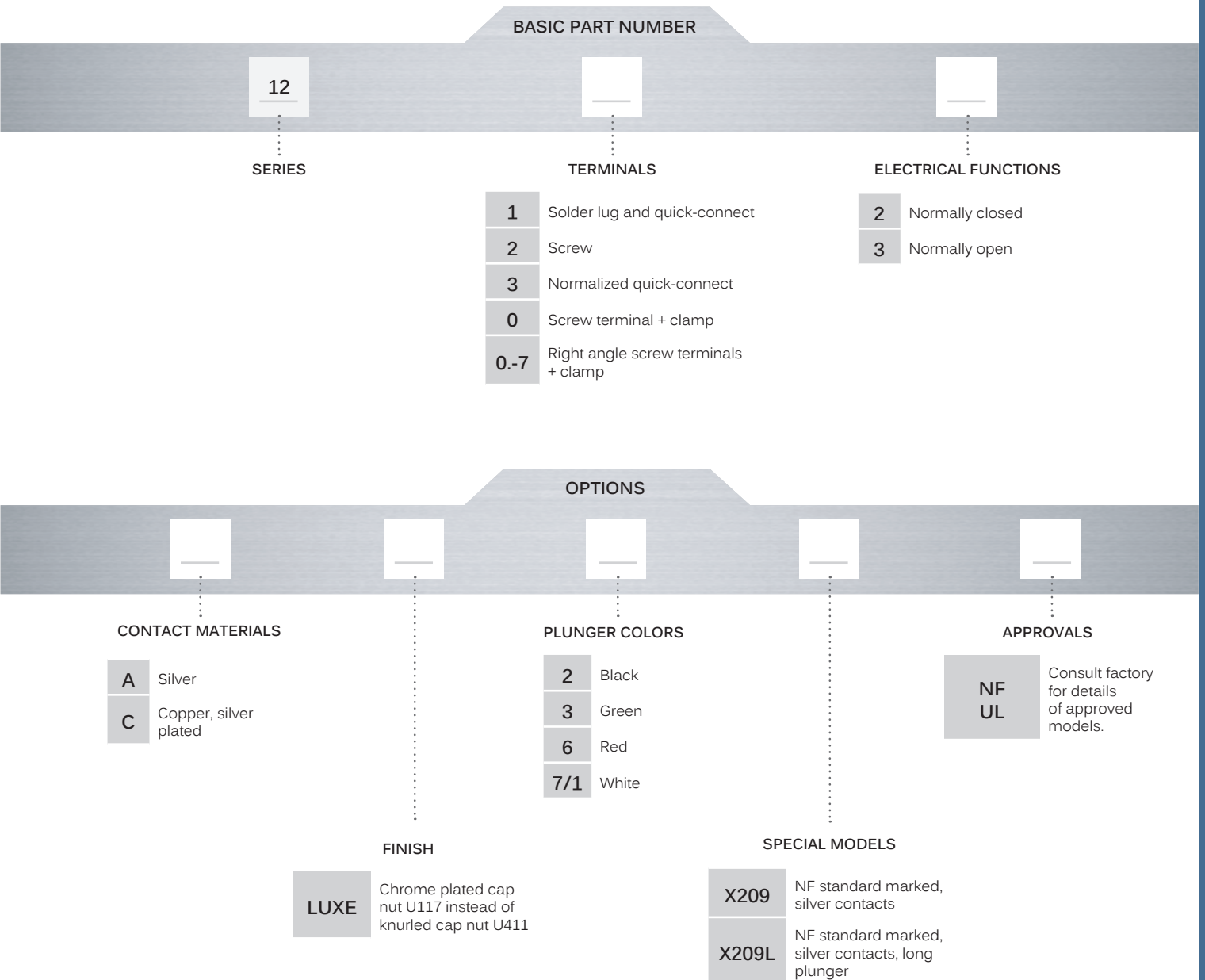
NC (function 2)

# 1200 series

Momentary pushbutton switches • round plunger



## BUILD YOUR PART NUMBER



## ABOUT THIS SERIES

On the following pages, you will find successively basic part numbers of switches and options in the same order as in above chart.

- Notice** : please note that not all combinations of above numbers are available. Refer to following pages for further information.
- Sealing boots** are available to protect the switches against dust and water. See Sealing Boot section.
- Mounting accessories** : standard hardware supplied : 1 hex nut U166 and 1 knurled nut U411  
Standard and special hardware is presented in the "Hardware" section of website.

# 1200 series

Momentary pushbutton switches • round plunger

## SOLDER LUG/QUICK-CONNECT TERMINALS



1212  Normally Closed

1213  Normally Open

Plunger height : NO model : 7.50 mm, NC model : 6.70 mm

## SCREW TERMINALS



1222  Normally Closed

1223  Normally Open

Plunger height : NO model : 7.50 mm, NC model : 6.70 mm

## NORMALIZED QUICK-CONNECT TERMINALS



1232  Normally Closed


1233  Normally Open

Plunger height : NO model : 7.50 mm, NC model : 6.70 mm

## STRAIGHT SCREW TERMINALS + CLAMP

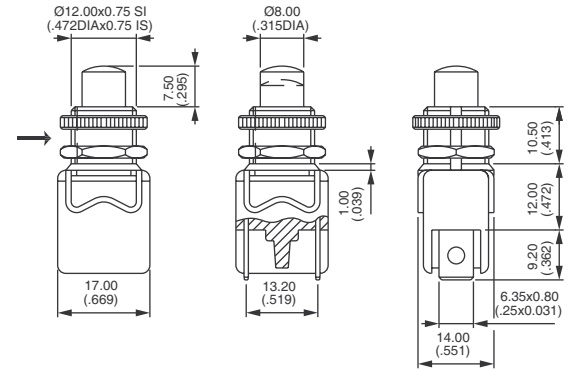


1202  Normally Closed

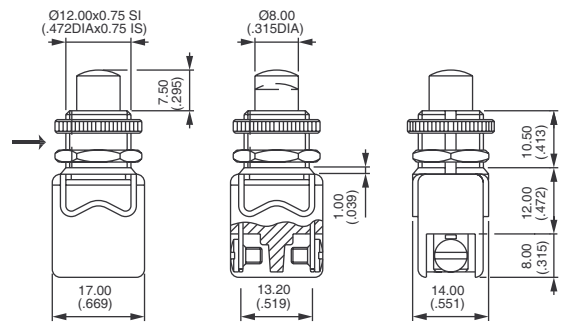
1203  Normally Open

Plunger height : NO model : 7.50 mm, NC model : 6.70 mm

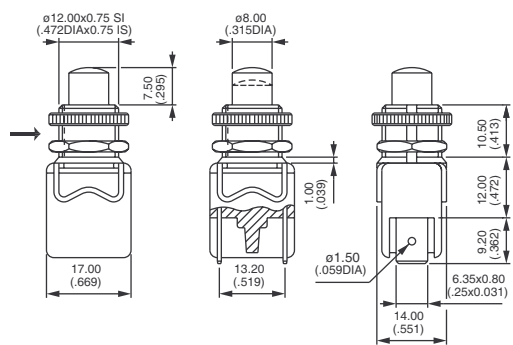
### KEYWAY



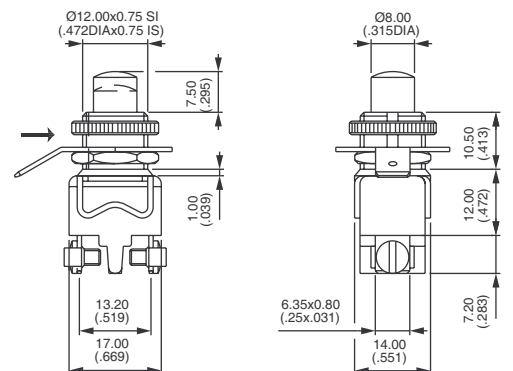
### KEYWAY



### KEYWAY




### KEYWAY

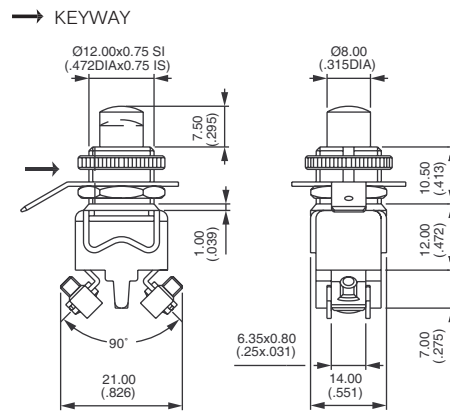


# 1200 series

Momentary pushbutton switches • round plunger

## RIGHT ANGLE SCREW TERMINALS + CLAMP

1203-7  Normally Open

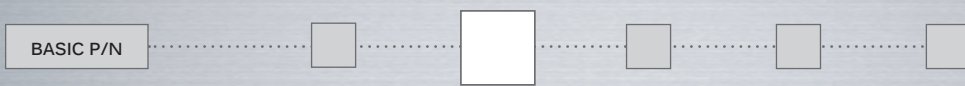


### CONTACT MATERIALS



- A Silver
- C Copper, silver plated

### FINISH



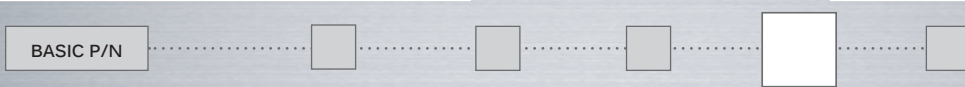
LUXE Chrome plated cap nut U117 instead of knurled nut U411

### PLUNGER COLORS



- 2 Black
- 3 Green
- 6 Red
- 7/1 White

### SPECIAL MODELS



- X209 NF standard marked - Silver contacts - short plunger
  - X209L NF standard marked - Silver contacts - long plunger
- See drawings next page

NOTE : Ground connector U187 compulsory on models X209 and X209L if the panel is not metallic or not connected to ground. Order separately : see "Hardware" section of website.

# 1200 series

Momentary pushbutton switches • round plunger

## SPECIAL MODELS (CONTINUED)



OPTION X209

1233A•X209

Normally Open

Replace • with the desired plunger color.

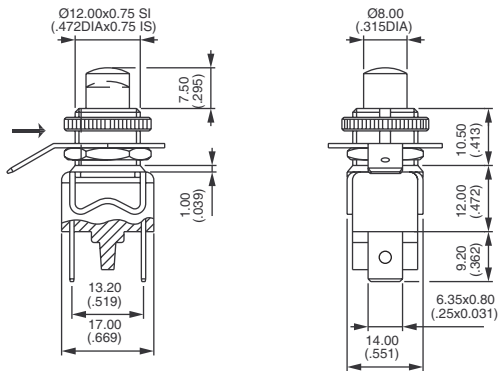
OPTION X209L

1233A•X209L

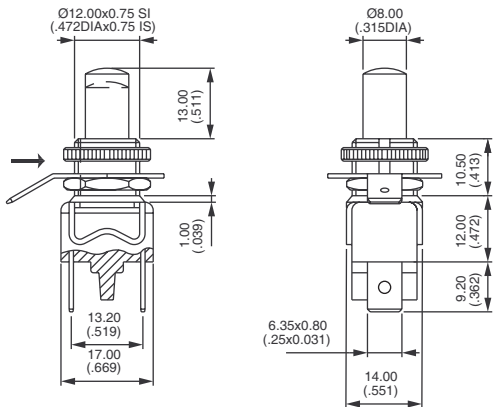
Normally Open

Replace • with the desired plunger color.

→ KEYWAY



→ KEYWAY



## AGENCY APPROVALS



- NF All models
- UL All models

Marking : to order switches marked NF, UL, complete above box with desired approvals.